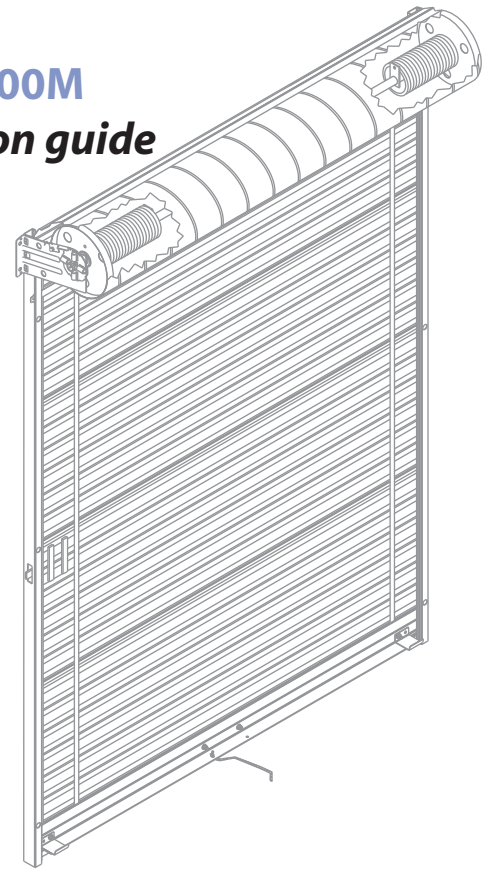




1-800-621-3667  
**LIGHT DUTY  
 ROLL UP DOOR**

**MODEL 200M  
 installation guide**



**CAUTION**  
 Use proper lifting equipment and correct lifting procedures to avoid damage or injury.

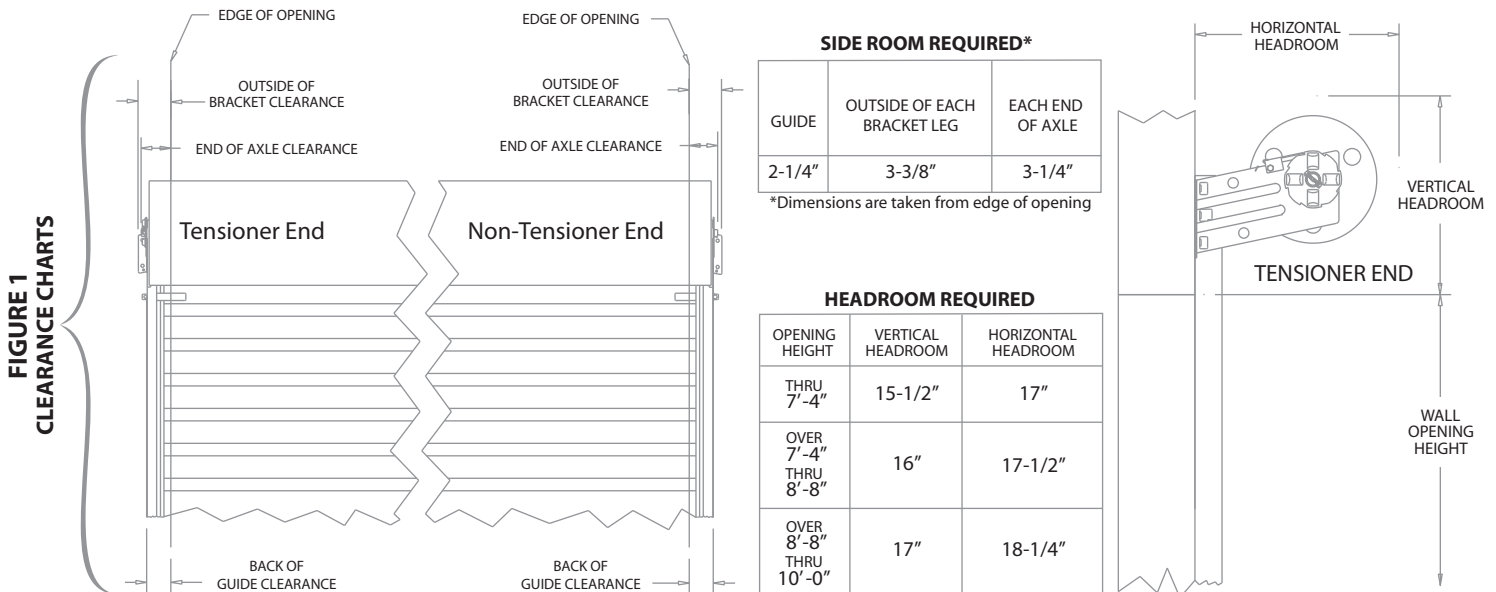
**WARNING!**  
 A rolling door is a large heavy object that moves with the help of springs under extreme tension and electric motors. Moving objects, springs under tension and electric motors can cause serious injuries or death. For your safety and the safety of others, follow these instructions.

**IMPORTANT NOTE:**  
 Do not cut tape and plastic wrap that holds the door in a roll until you are directed to do so in step 6B. Ideal Doors cannot guarantee or accept responsibility for doors that are not installed as directed. Please read and understand all instructions before beginning the installation process.

**STEP 1: WALL OPENING**

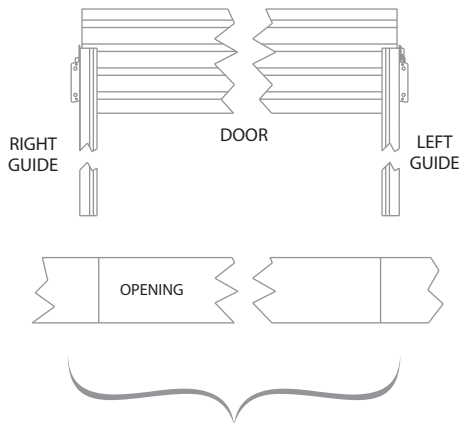
- A. Check wall opening width and height and verify these measurements against size of door to be installed.
- B. Verify that jambs are plumb.
- C. Check floor and header for level.
- D. Check for adequate side clearance at jambs and clearance above and at sides of header. Check horizontal and vertical headroom requirements. See clearance charts **figure 1** for minimum requirements.
- E. Verify that the guide mounting surface on the jamb is flush.
- F. Make sure all parts required for installation are with the door.

POTENTIAL HAZARD	EFFECT	PREVENTION
	CAN CAUSE SERIOUS INJURY OR DEATH	<p><b>DO NOT</b> stand or walk under moving door. Keep door in full view and free of obstructions while operating.</p> <p><b>DO NOT</b> allow children to operate the door.</p>
	CAN CAUSE SERIOUS INJURY OR DEATH	<p>Installation, repairs and adjustments must be made by a trained rolling service door systems technician using proper tools and instructions.</p> <p><b>DOOR MUST BE FULLY OPENED WHEN MAKING ADJUSTMENTS</b></p>

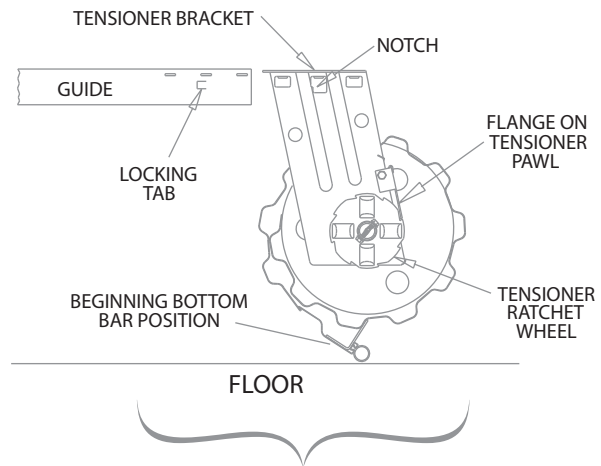


## STEP 2: POSITION DOOR AND PARTS

- Make sure floor is clean in order to prevent damage to curtain.
- On inside of building, place left guide on floor perpendicular to opening with guide bottom close to the left jamb and the top toward inside of building. Do the same with the right guide to the right jamb. **See figure 2.**
- Place door on floor at top of and between guides. Rotate door as necessary to locate bottom bar against floor. **See figures 2 and 3.**
- Distribute hardware parts to appropriate areas.



**FIGURE 2**  
DOOR POSITION ON FLOOR



**FIGURE 3**  
GUIDE TO BRACKET INSTALLATION

**NOTE: Brackets, tensioner, spring(s) and curtain mounted latch are pre-assembled to the door at the factory. Do not remove.**

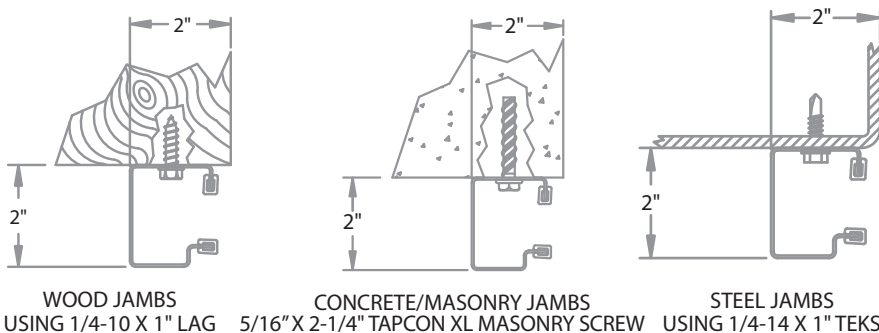
## STEP 3: GUIDES TO BRACKETS INSTALLATION

- At tensioner end of door, lift flange on tensioner pawl until end of the pawl clears the tensioner ratchet wheel. Rotate bracket in order to position short leg end upward. Release flange on pawl and allow end to engage with the nearest tooth on the ratchet wheel. **See figure 3.**
- Bring top end of guide in alignment with bracket and insert hooks on bracket into slots in guide.
- Slide bracket and guide together until locking tab in guide fully engages notch in bracket.
- If locking tab does not fully engage with bracket notch, use a hammer and punch to bend tab into bracket notch.
- Repeat steps 3B through 3D for non-tension bracket and guide. The bracket will require being held in position.

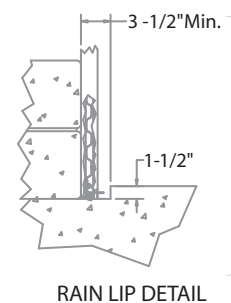
### **WARNING!**

**Locking tab in guide must fully engage with notch in bracket. Failure to do so may allow the door to fall during installation, which can cause serious injury or death and/or damage to door.**

**NOTE: For opening heights over 8'-8", clamp bottom of brackets to guides with locking pliers in order to ensure rigidity of top of guide while lifting. Remove pliers after securing brackets to jambs.**



**FIGURE 4**  
UNIVERSAL  
MOUNT  
GUIDES



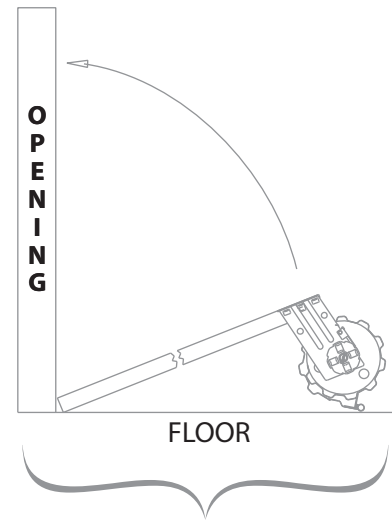
**FIGURE 5**  
LIP  
DETAIL

#### STEP 4: LIFTING DOOR ASSEMBLY

- Move door and guide assemblies toward wall opening with bottom of guides resting next to jambs.
- Lift door assembly evenly, pivoting around bottom of guides. *See figure 6.*

#### **! WARNING!**

Two installers are required to lift door assembly into position against jambs. The guides are not designed to support the door weight during a one man installation. Attempting installation with only one installer can result in serious injury and/or damage to door. Do not leave door unattended until it is securely attached to jambs.



**FIGURE 6**  
**LIFTING DOOR ASSEMBLY**

#### STEP 5: GUIDES AND BRACKETS TO JAMB

- Attach brackets and guides to jambs using fasteners shown in *table 1*.
- The guides should be mounted centered about the opening and spaced curtain width + 1" apart measured from back of guide to back of guide. *See figure 7.* Both guides must be plumb.
- The appropriate fastener must be installed at each hole location in brackets and guides. *See table 1.*

**TABLE 1:** Wall Fasteners included for jamb attachment of Brackets and Guides.

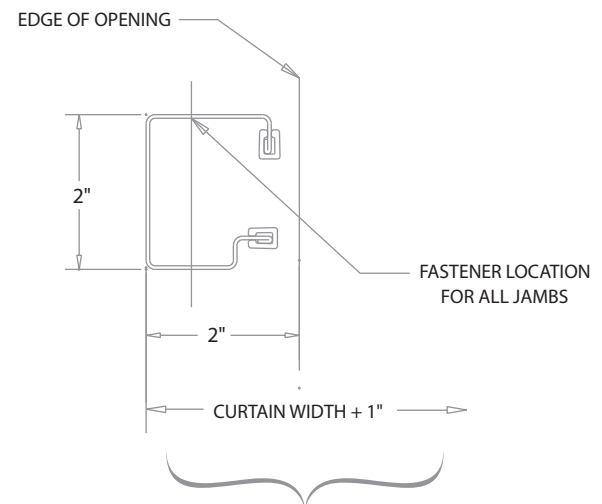
ITEM	JAMB	FASTENERS	DRILL SIZE
Brackets and Guides	Concrete or Filled Block	5/16" X 2-14" Tapcon XL Masonry Screw	None
	Steel-Structural	1/4"-14 x 1" TEKS Screw	None
	Steel-Rollup Frame	1/4"-14 x 7/8" Stitch TEKS Screw	None
	Wood	1/4"-10 x 1" Lag Screw	None

#### **! WARNING!**

Door can fall if both brackets are not securely fastened to the jambs. All fasteners attaching brackets to jambs must fit securely into a structural member or surface. If door falls, serious injury or death and/or damage to door can result.

#### **NOTE:**

Welding of guides to the jambs is not recommended.



**FIGURE 7**  
**DOOR CROSS SECTION**

#### STEP 6: SETTING INITIAL SPRING TENSION

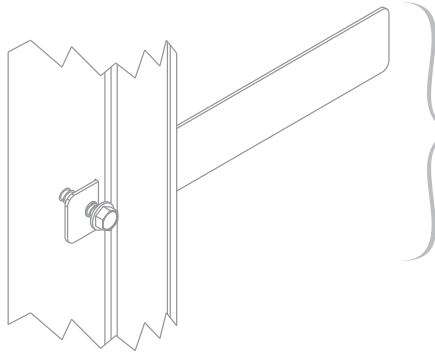
- Rotate door 1-1/2 revolutions in the direction that would send the bottom bar down through the guides.
- While firmly holding the door at the bottom bar, cut the tape and plastic wrap that holds the door in a coil. Direct the bottom bar down into the guides, stopping just past the head stop area and hold securely through completion of step 7.

#### **! WARNING!**

Extreme spring tension can cause serious injury or death. Installation, repairs and adjustments must be made by a trained rolling service door systems technician using proper tools and instructions. Door must be fully opened when making adjustments.

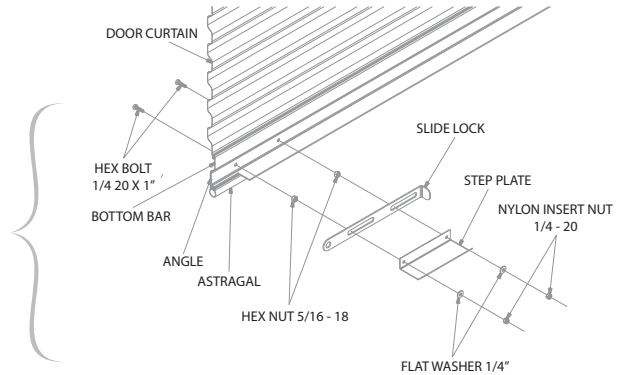
## STEP 7: HEAD STOPS

- Slide head stop from inside of each guide. **See figure 8.**
- Secure each head stop to guide with 1/4-20 x 1/2" thread cutting type F hex screw.



**FIGURE 8**  
HEAD STOP

**FIGURE 9**  
OPTIONAL  
BOTTOM BAR  
MOUNTED  
SLIDE LOCKS

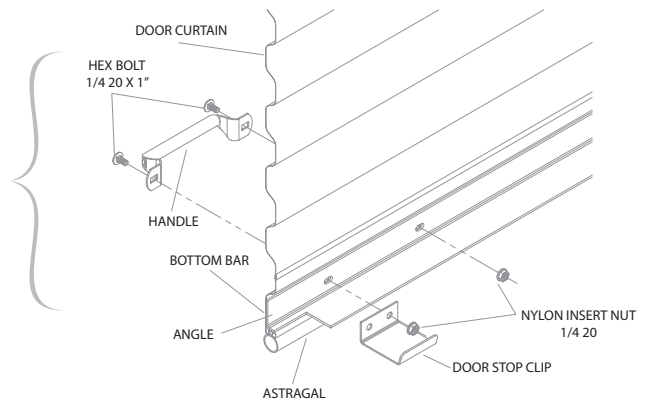


## STEP 8: DOOR STOP CLIPS, HANDLE(S) AND PULL ROPE

- Install stop clip at each end on inside of bottom bar using existing single 1/4-20 x 5/8" carriage bolt and nut. **See figure 10.**
- Install handle(s) on outside of bottom bar using 1/4-20 x 5/8" carriage bolts and nuts.
- Install rope in one of the holes at the center of the horizontal leg of the bottom bar angle.

OPTIONAL: BOTTOM BAR MOUNTED SLIDE LOCKS.  
**See figure 9 for installation.**

**FIGURE 10**  
DOOR STOP  
CLIP



### **! WARNING!**

Installation of door stop clips are required. Failure to properly install clips can cause the door curtain to travel beyond the guides resulting in door damage and/or personal injury.

## STEP 9: CHECK DOOR OPERATION

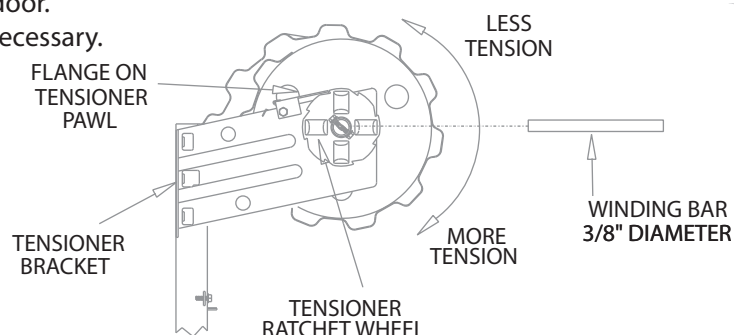
- Lower and raise the door to test the door balance.
- If door is easy to close, but hard to open; increase spring tension.
- If door is hard to close, but easy to open; decrease spring tension.

## STEP 10: ADJUST SPRING TENSION

- Place 3/8" diameter winding bar in tensioner ratchet wheel. **See figure 11.**
- Rotate winding bar in the down direction to increase spring tension. Each engagement of a tooth equals 1/8 turn.
- To decrease spring tension, pull down slightly on winding bar until pawl disengages tooth. Lift flange on pawl and move winding bar up until past the pawl/tooth engagement. Allow pawl to rest on ratchet wheel and continue moving winding bar up until the pawl is fully engaged with the tooth.
- Remove winding bar and operate door.
- Repeat steps 10A through 10D as necessary.

### **! WARNING!**

DOOR MUST BE FULLY OPENED  
WHEN MAKING ADJUSTMENTS.



**FIGURE 11**  
ADJUST  
SPRING  
TENSION

**NOTE: Latch slide slot in the guide may require adjusting after door installation due to variances in manufacturing and/or site conditions.**

## SNAP-ON/BOLT-ON BRACKET ASSEMBLY

### NOTE:

Brackets, tensioner, spring(s) and curtain mounted latch are pre-assembled to the door at the factory. Do not remove.

### GUIDES - TO - BRACKETS INSTALLATION (SNAP ON) See figure 12.

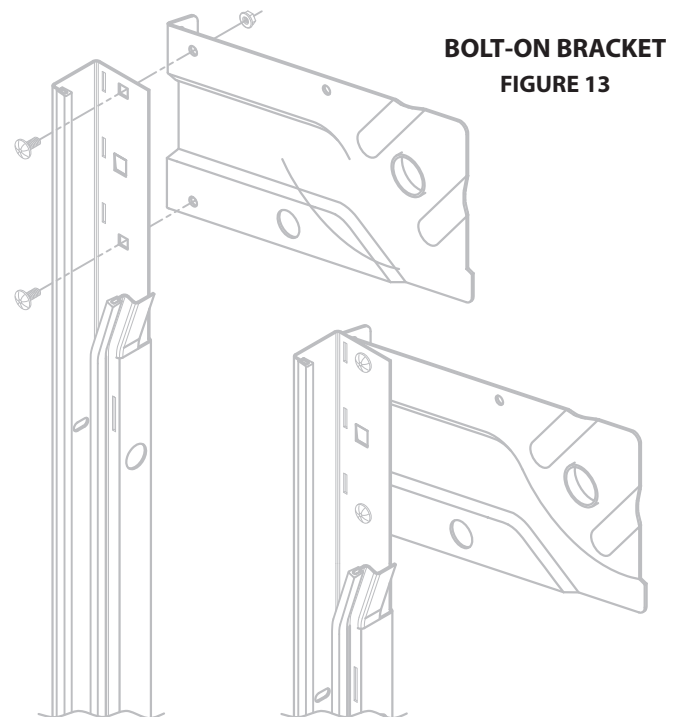
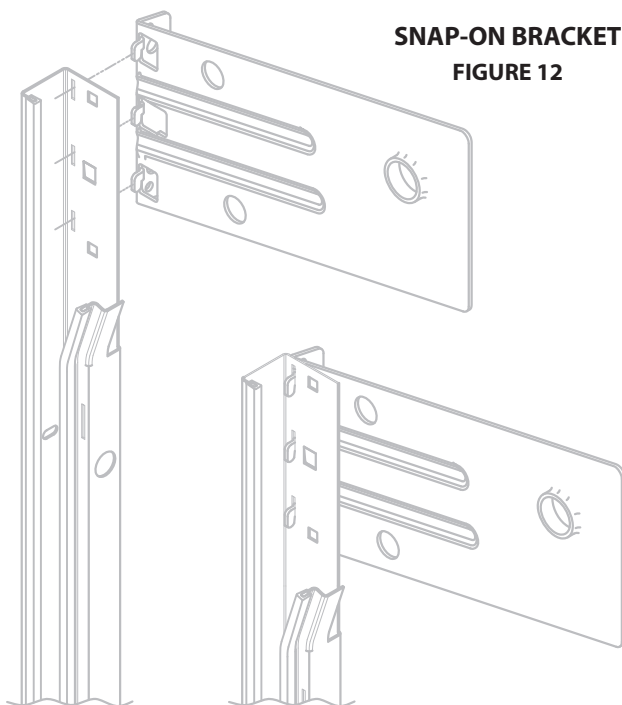
- A. At tensioner end of door, lift flange on tensioner pawl until end of the pawl clears the tensioner ratchet wheel. Rotate bracket in order to position short leg end upward. Release flange on pawl and allow end to engage with the nearest tooth on ratchet wheel. **See figure 3.**
- B. Bring top end of guide in alignment with bracket and insert hooks on bracket into slots guide.
- C. Slide bracket and guide together until locking tab in guide fully engages notch in bracket.
- D. If locking tab does not fully engage with bracket notch, use a hammer and punch to bend tab into bracket notch.
- E. Repeat steps A through D for other bracket and guide. The bracket will require being held in position.

### NOTE:

For opening heights over 8'-8", clamp bottom of brackets to guides with locking pliers in order to ensure rigidity of top of guide while lifting. Remove pliers after securing brackets to jambs.

### GUIDES - TO - BRACKETS INSTALLATION (BOLT ON) See figure 13.

- A. Attach door to bracket guides. Use 2 each 1/4-20 x 5/8" carriage bolts and 1/4-20 serrated flange hex nuts per bracket.

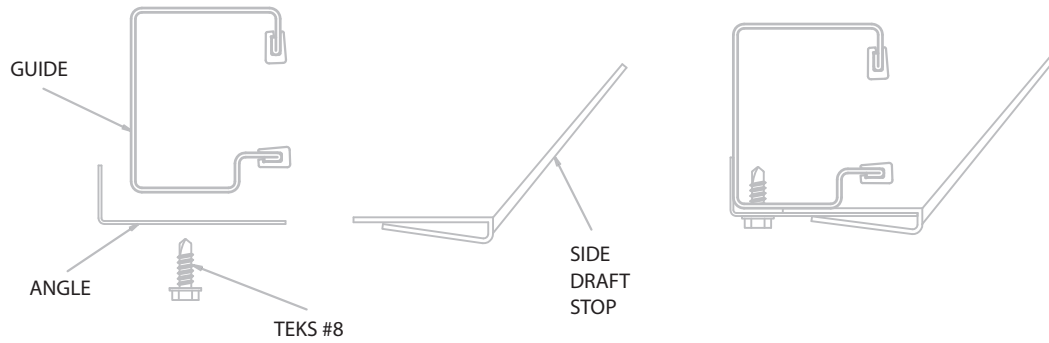


## TOP DRAFT/SIDE DRAFT ASSEMBLY

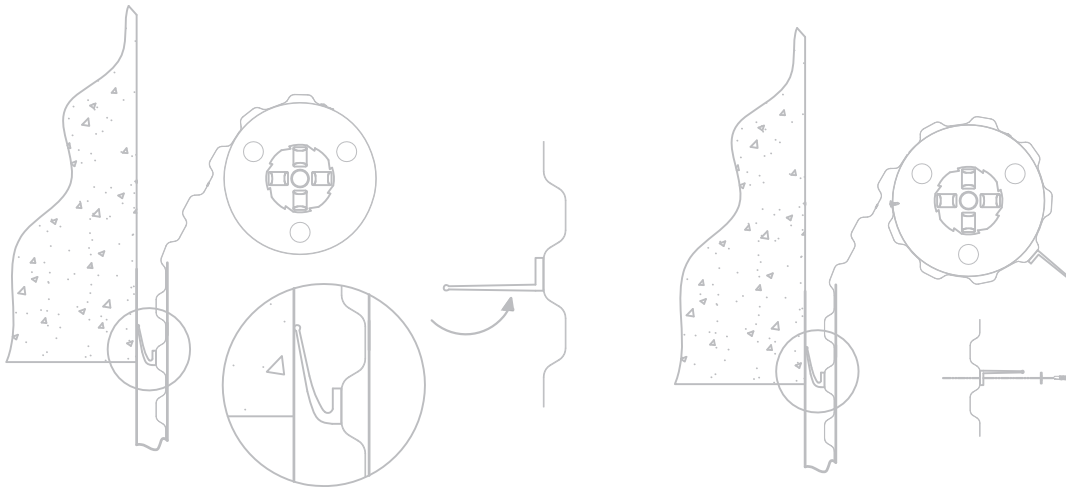
\*optional

### MODEL 200M SIDE DRAFT STOP ASSEMBLY

(Left Guide Shown)



### TOP DRAFT STOP INSTALLATION



1. With door fully closed, mark curtain for draft stop mounting location.

2. Raise curtain until mounting location is accessible.

3. Attach draft stop curtain every 12" using 1/4" diameter by 3/4" long TEK screws and flat washers.