

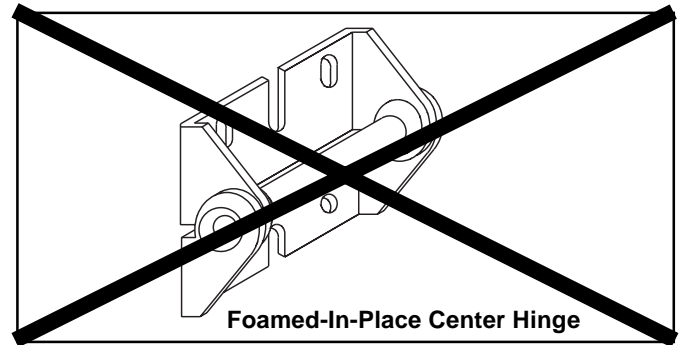
INSTALLATION INSTRUCTIONS SUPPLEMENT

IDEAL Foamed-in-Place Doors

New Strut and Center Hinge Attachment



The Ideal Foamed-In-Place doors no longer use a special clipped center hinge (shown at right). All center hinges on Ideal Foamed-In-Place doors are now #1 hinges.



The strut attachment procedure for Ideal Foamed-In-Place doors will follow the Strutting Schedule on page 9 of the Ideal Commercial & Industrial Sectional Doors Installation and Maintenance Manual with one important difference. For Ideal Foamed-In-Place doors, struts will be attached over the leaves of the hinges. Please disregard Figure 3-SB on page 10 for Ideal Foamed-In-Place doors and instead reference the figure below.

For Ideal Foamed-In-Place doors with full vision sections, disregard Figure 10-S on page 14 of the Ideal Commercial & Industrial Sectional Doors Installation and Maintenance Manual and follow the illustration (shown at right) for hinge and reinforcement attachment.

